

CPT-8000 Portable Terminal

Feature Packed
Feature Packed
Pocket Size
Pocket Size



Pocket Size



Communication Cradle



- Programmable in : Basic, C & Application Generator
- 1MB program memory + 1MB data memory
- Ideal for Retail Applications

CPT-8000 Portable Terminal

Specifications

Power

Operation battery:	Two AAA size Alkaline
Backup battery:	3.0V, 7.0mAh, rechargeable Lithium
Working hours:	Over 100 hours

Dimensions

Size:	122mm (L) x 56mm (W) x 26mm (H)
Weight:	130g (including batteries)

General Characteristics

CPU:	16-bit CMOS, low power consumption
Program memory:	1MB flash memory
Data memory:	1MB SRAM / 2MB optional
Display:	100x64 graphic dots FSTN with LED back-lit
Keyboard:	21 rubber keys with LED back-light
Buzzer:	Programmable, 1KHz to 4KHz
LED:	Dual-color, green and red

Accessories

Communication Cradle-R (Serial), Modem Cradle 56 Kbps
Communication Cradle-U (USB)

Acoustic Coupler (8020)

- Max. Power Consumption: 26mA (When the speaker is ON)
- Data rate/format: 1200, O/E/N, 7/8, 1
- Sound frequency: 1.2KHz +/- 5%, 2.2KHz +/- 5%
- Modulation Type: Bell202 / FSK

Long Range CCD

Resolution:	0.125mm (5mil) ~ 1.00mm (40mil)
Depth of field:	4 cm ~ 21cm
Scan rate:	100 scans/sec

Environmental

Operating Temperature:	-20° to 60° C
Storage Temperature:	-30° to 70° C
Humidity:	Non-condensed 5% to 95%
Shock resistance:	1.2m drops onto concrete
EMC regulation:	FCC class-A, CE and C-Tick approved

Communication

Terminal:	IrDA, IR, Acoustic Coupler (8020)
Through Cradle:	RS232 (up to 115.2k bps) USB (Virtual Com) Modem (56 Kbps)

Programming Language

"C", "BASIC", and a Windows-based Application Generator

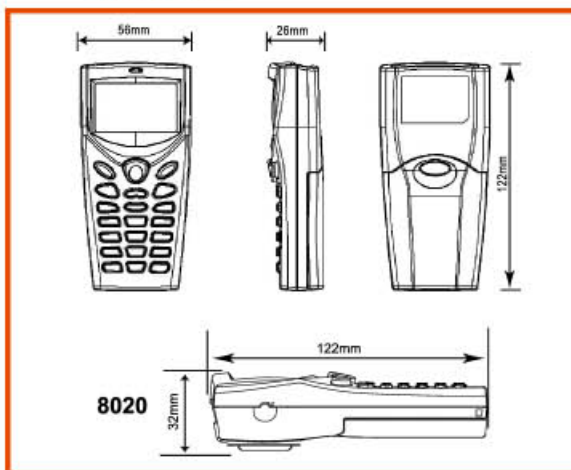
Warranty

1 Year

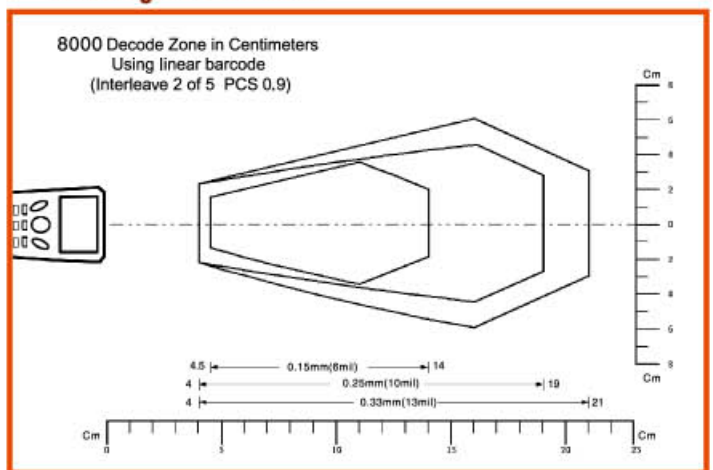
Modem Cradle

- Complete data/fax modem solution with Conexant Chipset
- Data modem: ITU-T V.90, V.34, V.32bis, V.32, V.22 bis, V.22, V.23, V.21 Bell 212A, Bell 103, V.42 LAPM and MNP 2-4 error correction, -V.42 bis and MNP 5 data compression
- 14.4 kbps Fax modem send/receive: -V.17, V.29, V.27 ter, V.21 channel 2, EIA/TIA 578 Class 1 commands, ITU-T Group 3 compatible fax machines and fax modems
- Flow control and speed buffering, automatic format/speed sensing, Power consumption DC 5V / 200mA (Max.)

Dimensions



Reading Performance



Acoustic Coupler



IrDA Interface



Modem Cradle



Syntech Information Co., Ltd.
5F, No. 196-3, Ta-Tung Road,
Sec. 3, Hsi-Chih,
Taipei Hsien, Taiwan
TEL: +886 2 8647 3300
FAX: +886 2 8647 1155
www.cipherlab.com.tw

Syntech West Inc.
3404 57th Street NW Sui
Gig Harbor, WA 98335
U.S.A.
TEL: +1 253 858 7906
FAX: +1 253 858 7713
www.cipherlab.com